



KAG
Safety Rail

Enhancing Safety
Medical Catalogue



KAG Grab Rails:
MEDICAL RANGE



Minimum

80% Extra Grip

Under Wet Conditions

Minimum

160% Extra Grip

Under Dry Conditions

Minimum

300% Extra Grip

Under Oily Conditions



KAG

Safety Rail

PRACTICAL & CLEVER

Proven results in any condition

- Independently tested by the Queensland University of Technology and ALS Global
- Proven to increase by up to 80% in wet conditions, up to 160% in dry conditions and up to 300% in oily conditions compared to standard grab rail on the market
- Demonstrated performance for real customers

Versatility

- Wide range of sizes and applications to suit all needs
- Designed to fit any hand size and available in left or right hand configurations
- Custom fabrication available

Quality & Durability

- Built to withstand tough conditions and demanding use
- Australian - designed, premium materials, rigorous quality control and testing.
- Rust resistant
- All KAG medical range in fabricated from 1.6Wall 304 grade stainless steel also available in mild steel white powdercoat

Simplicity in style

- Easy to install, moder and stylish
- Meets or exceeds all relevant regulations
- Readily available and efficient turnaround

Clean & hygienic rail

- Easy to clean, helping prevent the spread of bacteria.
- Meets infection control standards for health and aged-care facilities
- Examined by infectious control at Redland bay hospital, achieving a 5-star rating for cleanability

Sustainability

- Low VOC and 100% recyclable



KAG Grab Rails

Straight grab rail

mirror / brushed / white



Description

The KAG grab rail range is available in 32mm & 38mm tube sections with a strong open fixing flange for easy installation and neat hygienic finish.

SM

304 stainless steel polished to a high mirror finish.

SB

304 stainless steel polished to NO.4 finish (brushed).

MWP

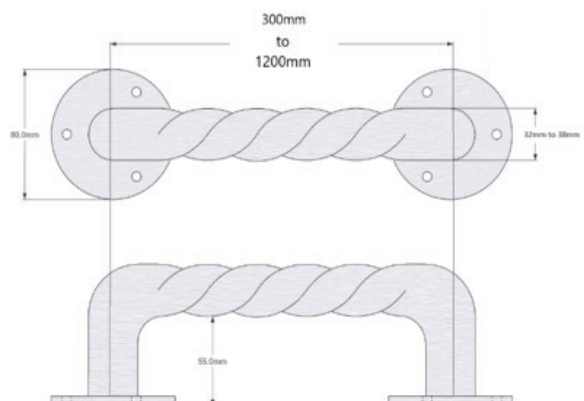
Mild Steel with white powder coat paint.



Model No.	Length	OD.mm	Finish
Cruise ship only	250mm	32	SM
Cruise ship only	250mm	32	SB
Cruise ship only	250mm	32	MWP
Cruise ship only	250mm	38	SM
Cruise ship only	250mm	38	SB
Cruise ship only	250mm	38	MWP
S30032SM	300mm	32	SM
S30032SB	300mm	32	SB
S30032MWP	300mm	32	MWP
S30038SM	300mm	38	SM
S30038SB	300mm </td <td>38</td> <td>SB</td>	38	SB
S30038MWP	300mm	38	MWP
S4502SM	450mm	32	SM
S45032SB	450mm	32	SB
S45032MWP	450mm	32	MWP
S45038SM	450mm	38	SM
S45038SB	450mm	38	SB
S45038MWP	450mm	38	MWP
S60032SM	600mm	32	SM
S60032SB	600mm	32	SB
S60032MWP	600mm	32	MWP
S60038SM	600mm	38	SM
S60038SB	600mm	38	SB
S60038MWP	600mm	38	MWP

Model No.	Length	OD.mm	Finish
S75032SM	750mm	32	SM
S75032SB	750mm	32	SB
S75032MWP	750mm	32	MWP
S75038SM	750mm	38	SM
S75038SB	750mm	38	SB
S75038MWP	750mm	38	MWP
S90032SM	900mm	32	SM
S90032SB	900mm	32	SB
S90032MWP	900mm	32	MWP
S90038SM	900mm	38	SM
S90038SB	900mm	38	SB
S90038MWP	900mm	38	MWP
S120032SM	1200mm	32	SM
S120032SB	1200mm	32	SB
S120032MWP	1200mm	32	MWP
S120038SM	1200mm	38	SM
S120038SB	1200mm	38	SB
S120038MWP	1200mm	38	MWP

*1.6mm tube
*3mm thick fixing plate, 80mm in diameter with 3x6mm countersunk holes



KAG Grab Rails

Handicap toilet grab rail – corner

mirror / brushed / white



Description

The KAG handicap toilet grab rail is available in left hand, right hand (as pictured) 32mm & 38mm tube sections with a strong open fixing flange for easy installation and neat hygienic finish.

SM

304 stainless steel polished to a high mirror finish.

SB

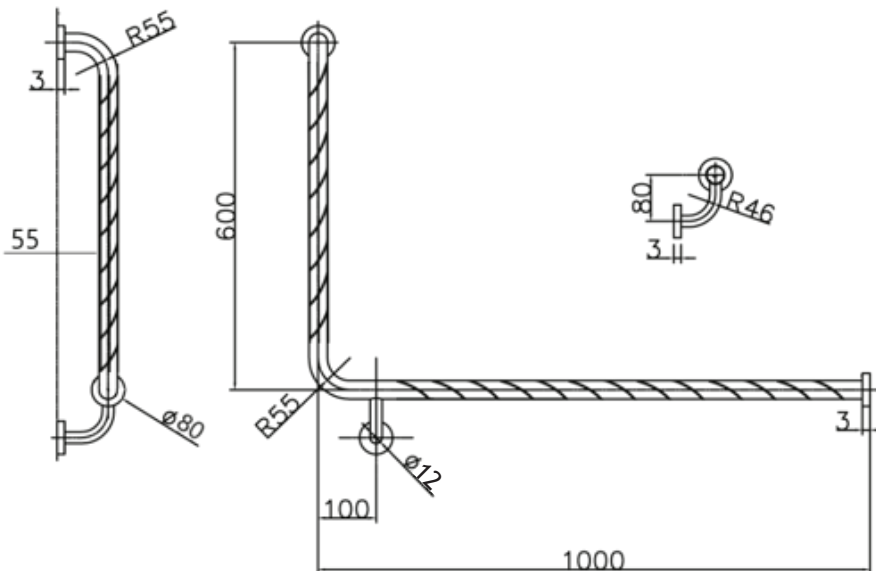
304 stainless steel polished to NO.4 finish (brushed).

MWP

Mild Steel with white powder coat paint.



Model No.	L x H	OD.mm	Finish	Hand
H90C32SML	1000mm x 600mm	32	SM	Left
H90C32SMR	1000mm x 600mm	32	SM	Right
H90C32SBL	1000mm x 600mm	32	SB	Left
H90C32SBR	1000mm x 600mm	32	SB	Right
H90C32MWPL	1000mm x 600mm	32	MWP	Left
H90C32MWPR	1000mm x 600mm	32	MWP	Right
H90C38SML	1000mm x 600mm	38	SM	Left
H90C38SMR	1000mm x 600mm	38	SM	Right
H90C38SBL	1000mm x 600mm	38	SB	Left
H90C38SBR	1000mm x 600mm	38	SB	Right
H90C38MWPL	1000mm x 600mm	38	MWP	Left
H90C38MWPR	1000mm x 600mm	38	MWP	Right



KAG Grab Rails

Handicap toilet grab rail

mirror / brushed / white



Description

The KAG handicap toilet grab rail is available in left hand (as pictured), right hand, 32mm & 38mm tube sections with a strong open fixing flange for easy installation and neat hygienic finish.

SM

304 stainless steel polished to a high mirror finish.



SB

304 stainless steel polished to NO.4 finish (brushed).

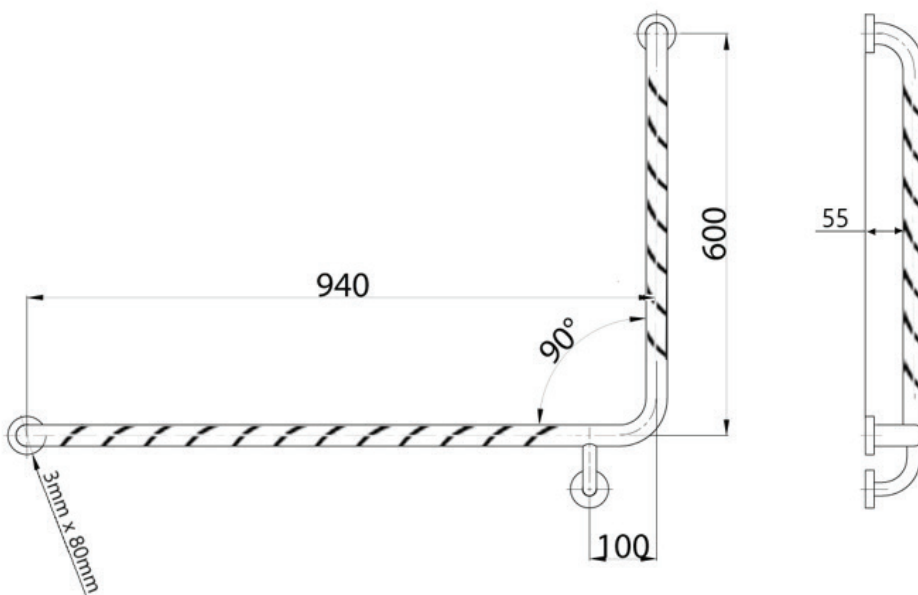


MWP

Mild Steel with white powder coat paint.



Model No.	L x H	OD.mm	Finish	Hand
H9032SML	940mm x 600mm	32	SM	Left
H9032SMR	940mm x 600mm	32	SM	Right
H9032SBL	940mm x 600mm	32	SB	Left
H9032SBR	940mm x 600mm	32	SB	Right
H9032MWPL	940mm x 600mm	32	MWP	Left
H9032MWPR	940mm x 600mm	32	MWP	Right
H9038SML	940mm x 600mm	38	SM	Left
H9038SMR	940mm x 600mm	38	SM	Right
H9038SBL	940mm x 600mm	38	SB	Left
H9038SBR	940mm x 600mm	38	SB	Right
H9038MWPL	940mm x 600mm	38	MWP	Left
H9038MWPR	940mm x 600mm	38	MWP	Right



KAG Grab Rails

Handicap toilet grab rail – 45° corner

mirror / brushed / white



Description

The KAG handicap toilet grab rail is available in left hand, right hand (as pictured), 32mm & 38mm tube sections with a strong open fixing flange for easy installation and neat hygienic finish.

SM

304 stainless steel polished to a high mirror finish.

SB

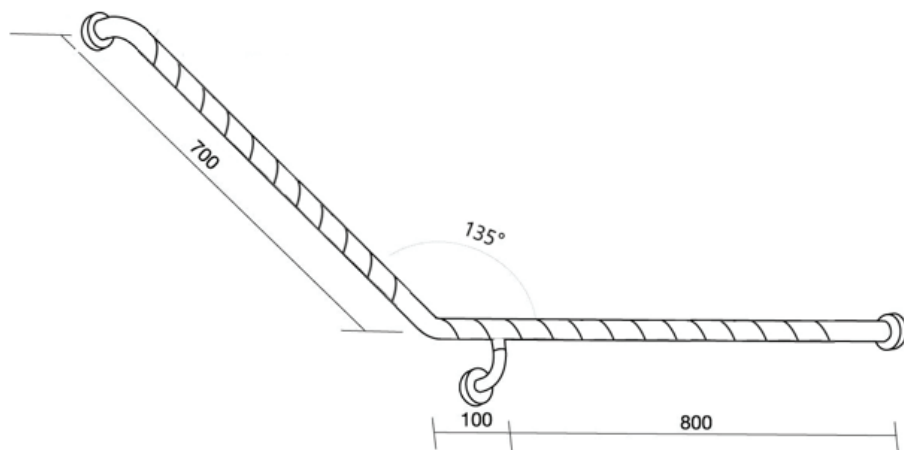
304 stainless steel polished to NO.4 finish (brushed).

MWP

Mild Steel with white powder coat paint.



Model No.	L x H	OD.mm	Finish	Hand
H45C32SML	900mm x 700mm	32	SM	Left
H45C32SMR	900mm x 700mm	32	SM	Right
H45C32SBL	900mm x 700mm	32	SB	Left
H45C32SBR	900mm x 700mm	32	SB	Right
H45C32MWPL	900mm x 700mm	32	MWP	Left
H45C32MWPR	900mm x 700mm	32	MWP	Right
H45C38SML	900mm x 700mm	38	SM	Left
H45C38SMR	900mm x 700mm	38	SM	Right
H45C38SBL	900mm x 700mm	38	SB	Left
H45C38SBR	900mm x 700mm	38	SB	Right
H45C38MWPL	900mm x 700mm	38	MWP	Left
H45C38MWPR	900mm x 700mm	38	MWP	Right



KAG Grab Rails

Handicap toilet grab rail – 45°

mirror / brushed / white



Description

The KAG handicap toilet grab rail is available in left hand, right hand (as pictured), 32mm & 38mm tube sections with a strong open fixing flange for easy installation and neat hygienic finish.

SM

304 stainless steel polished to a high mirror finish.

SB

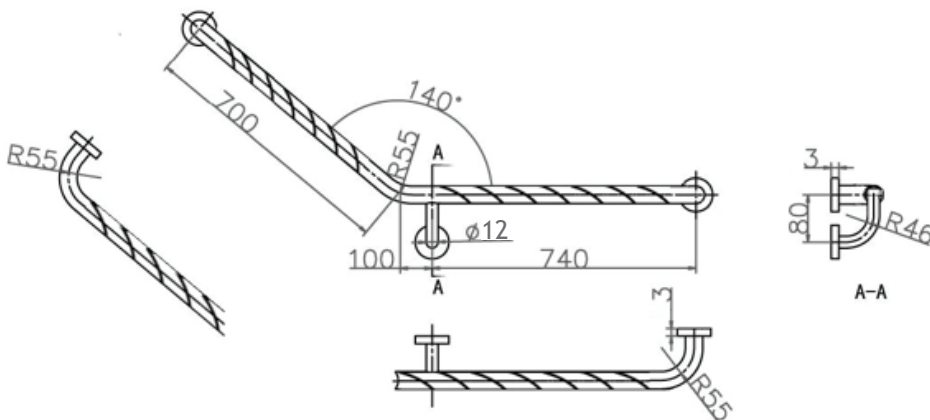
304 stainless steel polished to NO.4 finish (brushed).

MWP

Mild Steel with white powder coat paint.



Model No.	L x H	OD.mm	Finish	Hand
H4532SML	840mm x 700mm	32	SM	Left
H4532SMR	840mm x 700mm	32	SM	Right
H4532SBL	840mm x 700mm	32	SB	Left
H4532SBR	840mm x 700mm	32	SB	Right
H4532MWPL	840mm x 700mm	32	MWP	Left
H4532MWPR	840mm x 700mm	32	MWP	Right
H4538SML	840mm x 700mm	38	SM	Left
H4538SMR	840mm x 700mm	38	SM	Right
H4538SBL	840mm x 700mm	38	SB	Left
H4538SBR	840mm x 700mm	38	SB	Right
H4538MWPL	840mm x 700mm	38	MWP	Left
H4538MWPR	840mm x 700mm	38	MWP	Right



KAG Grab Rails



Shower grab rail

mirror / brushed

Description

The KAG shower grab rail is available in left hand, right hand (as pictured), 32mm & 38mm tube sections with a strong open fixing flange for easy installation and neat hygienic finish.

SM

304 stainless steel polished to a high mirror finish.

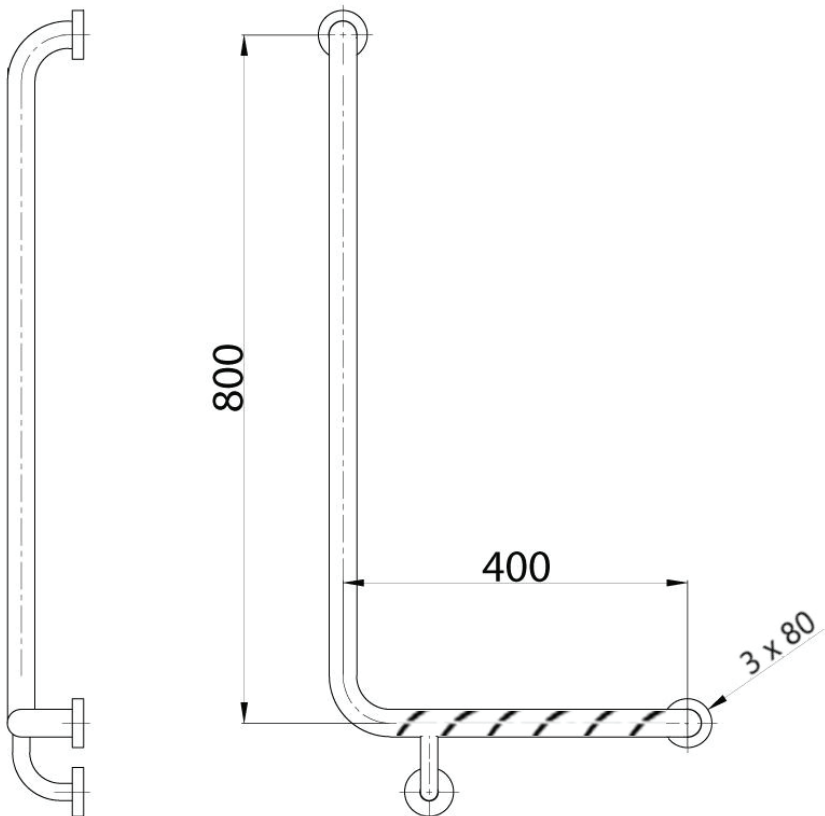


SB

304 stainless steel polished to NO.4 finish (brushed).



Model No.	L x H	OD.mm	Finish	Hand
SH32SML	840mm x 700mm	32	SM	Left
SH32SMR	840mm x 700mm	32	SM	Right
SH32SBL	840mm x 700mm	32	SB	Left
SH32SBR	840mm x 700mm	32	SB	Right
SH38SML	840mm x 700mm	38	SM	Left
SH38SMR	840mm x 700mm	38	SM	Right
SH38SBL	840mm x 700mm	38	SB	Left
SH38SBR	840mm x 700mm	38	SB	Right



KAG Grab Rails

“ T ” Shower grab rail

mirror / brushed



Description

The KAG “T” shower grab rail configuration allows the user to set up in left and right hand also comes in 32mm & 38mm with strong open fixing flange for easy installation and neat hygienic finish.

SM

304 stainless steel polished to a high mirror finish.



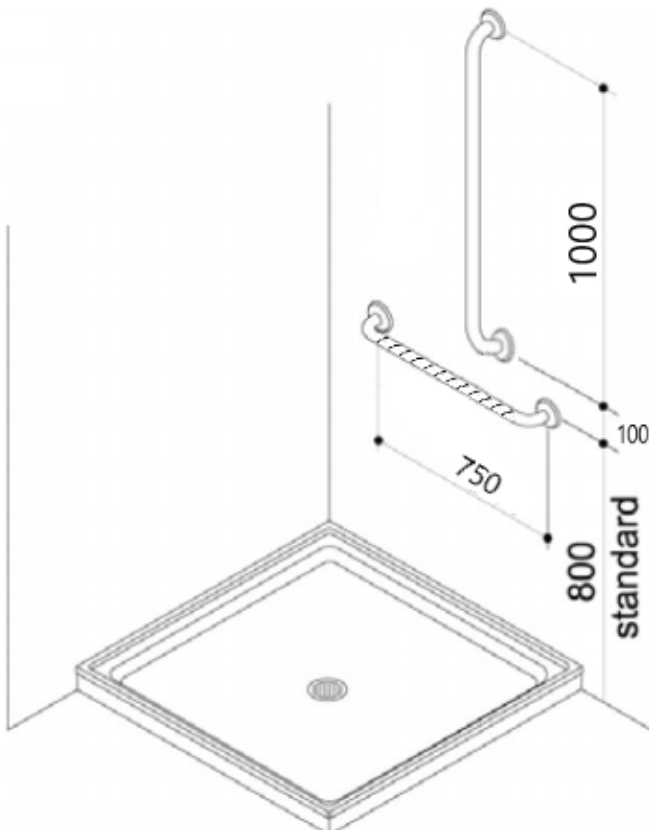
SB

304 stainless steel polished to NO.4 finish (brushed).



SHOWER

Model No.	L x H	OD.mm	Finish	Hand
TSH32SM	1000mm x 750mm	32	SM	Left
TSH32SB	1000mm x 750mm	32	SB	Right
				Left
TSH38SM	1000mm x 750mm	38	SM	Right
TSH38SB	1000mm x 750mm	38	SB	Left



KAG Grab Rails

Fixings

mirror / brushed / white



Description

Our KAG safety rail is a world breakthrough in safety technology that provides up to 300% superior grip in oily conditions as compared to conventional products in the marketplace. Combined with our unique fittings, our flat flange fixing arrangement will help prevent bacterial growth in wet areas.

SM

304 stainless steel polished to a high mirror finish.



SB

304 stainless steel polished to NO.4 finish (brushed).

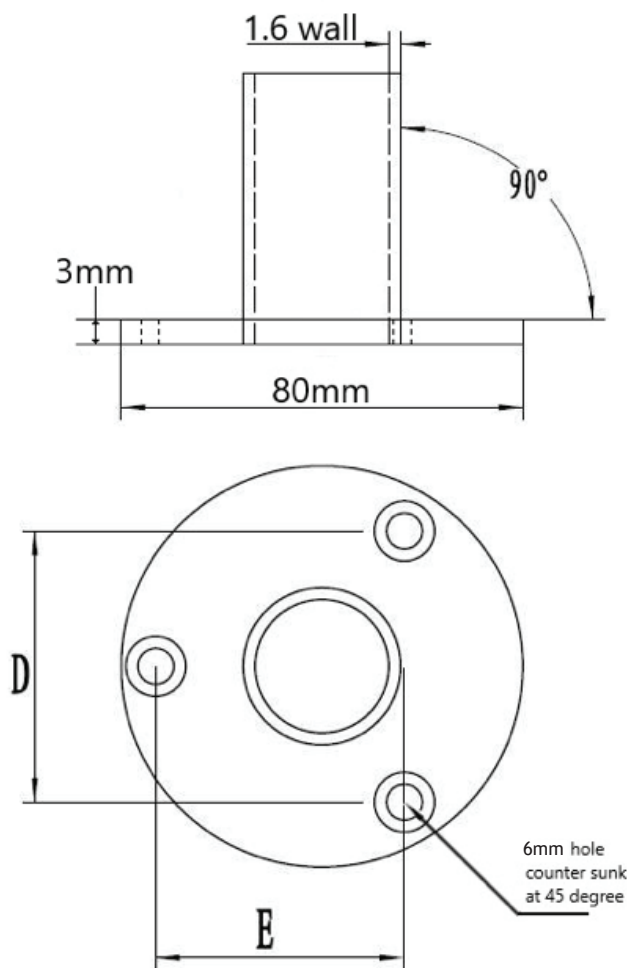


MWP

Mild Steel with white powder coat paint.



Dimensions	Thickness	Finish	Holes	Counter sunk
80mm	3mm	SM	3 x 6mm	45°
80mm	3mm	SB	3 x 6mm	45°
80mm	3mm	MWP	3 x 6mm	45°





About KAG:

KAG develops the smartest solutions to maximise safety and wellbeing on worksites and in buildings, facilities, public transport, vehicles and vessels around the world.

Our innovative fixtures and fittings are designed to outperform 'standard' products through inspired design backed by outstanding quality and versatility.

From major construction projects to hospital showers, our solutions help prevent accidents, injuries and muscle strains while boosting comfort and ease.

Raising the bar

Using breakthrough technology and ingenious design, the KAG Safety Rail is simply your smartest step in safety.

With its unique swage design, it contours to the shape of a closed hand to dramatically reduce the risk of 'slip and fall' injuries. Unlike smooth rails that become slippery when wet, the KAG Rail provides real grip – whether it's dry, wet or greasy.

Our innovative technology transforms a conventional round tube into the uniquely contoured KAG Safety Rail. This changes its shape so it 'fits' any-sized hand to provide a new standard in grip and confidence.

More than a shining light in safety:

The KAG Safety Rail is also available with smart value-added features such as fibre-optic end point lighting for low-lit or underground areas, and 24-hour operations.

Providing increased visibility for night staff, the in-built rail lighting also offers improved protection from 'no go' zones and added directions through different coloured lighting.

Lower power bills and a reduced carbon footprint are achieved with the KAG Safety Rail's innovative and efficient design.





Acusafe Australia Head Quarters

ACUSAFE
Enhancing Safety

www.kagrail.com



KAG
Safety Rail